



6200 SERIES Low Intensity Strobe

6200 Series strobes offer a high quality yet economical lighting solution specifically intended for use in material handling and other electric vehicle applications. These lights are ideal for a broad range of industrial type purposes.

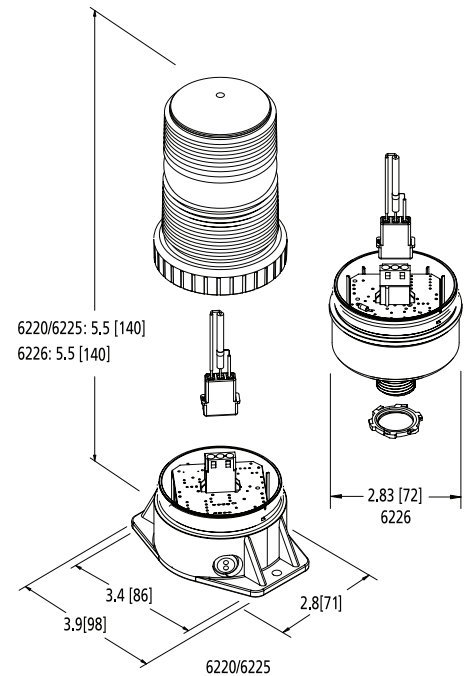
Models

PART NO.	VOLTAGE	AMPS	FPM	MOUNT
6220X	12-80	0.3	85	2 Bolt
6225X	12-80	0.5	85	2 Bolt
6226X	12-80	0.5	85	1/2" Pipe

Replace X in part number with desired LED color: A = amber, B = blue, C = clear, G = green, R = red

Features and Benefits

- Compact and economical low intensity strobe ideal for industrial applications
- Rugged glass filled nylon base and polycarbonate lens
- Epoxy encapsulated circuit board protects against moisture, dust and vibration
- Field replaceable snap-fit flashtube
- Reverse polarity, voltage spike and surge protected
- R10, CE, UL, IP66/67
- Temperature Range: -22°F to +122°F (-30°C to +50°C)
- Warranty: Strobe = 2 years, Flashtube = 6 months



Parts & Accessories

- Flashtube 'U': R6200FT
- Lenses:
 - Amber - R6220LA
 - Blue - R6220LB
 - Clear - R6220LC
 - Green - R6220LG
 - Red - R6220LR