

# 5 JOULE XENON STROBES

## Hazardous Location, Weatherproof XB11 Range



Strobe/Horn  
Combination Unit



Now UL listed to +158°F (+70°C)  
Ambient Temperature

### Introduction

These certified strobes have been designed for use in potentially explosive atmospheres and harsh environmental conditions. The glass reinforced polyester enclosures are suitable for use offshore or onshore, where light weight combined with corrosion resistance is required.

The strobe housing is manufactured completely from a U.V. stable, glass reinforced polyester. Stainless steel screws and mounting bracket are incorporated ensuring a totally corrosion free product.

Units can be painted to customer specification and supplied with identification labels.

**European, Chinese and other worldwide approvals are available, refer to main section of catalog.**

- ★ UL listed for USA and Canada
  - Hazardous locations:
    - Class I, Div. 2, Groups C & D.
    - Class I, Zones 1 & 2, AExd IIB T5.
  - Ordinary locations: Visual-Signal Device.
- ★ CSFM approved.
- ★ ATEX approved.
- ★ Xenon.
- ★ Output 22,000 Candela.
- ★ NEMA 4x and 6, IP66 & 67.
- ★ 24V d.c., 110 & 240V a.c.
- ★ Certified temperature –67°F to +158°F.  
–55°C to +70°C.
- ★ 4 wire monitored connection.
- ★ Corrosion resistant GRP.
- ★ Optional stainless steel backstrap.
- ★ Various lens colors.
- ★ Optional lens guard.
- ★ Available as a status light.

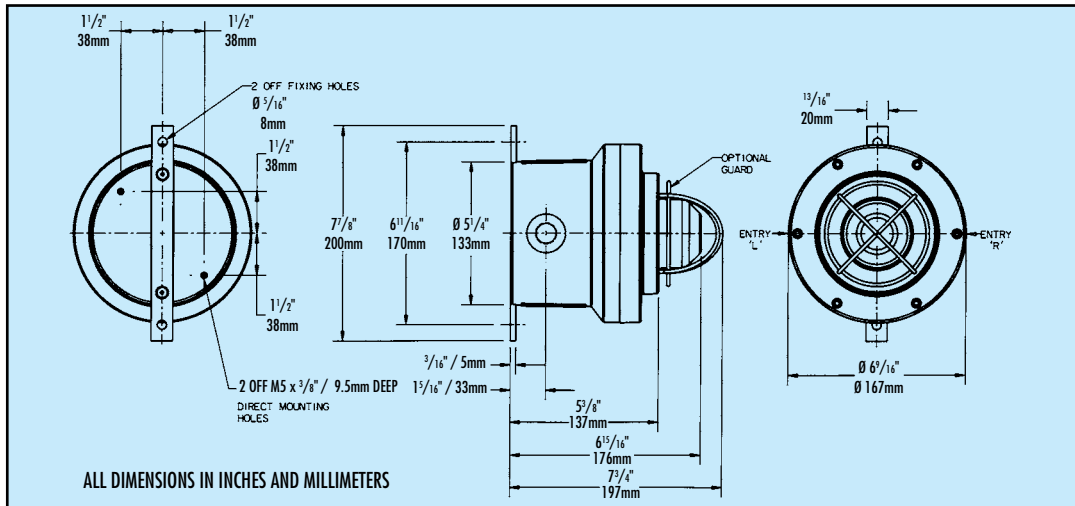
MEDC Ltd, Colliery Road,  
Pinxton, Nottingham NG16 6JF, UK.  
Tel: +44 (0)1773 864100  
Fax: +44 (0)1773 582800

MEDC International, 5829 West Sam Houston Parkway,  
North, Suite 1005, Houston, Texas 77041, USA.  
Tel: +1 (713) 937 9772  
Fax: +1 (713) 937 9773

MEDC Norway, Auglaendsmyraa 6,  
4016, Stavanger, Norge.  
Tel: +47 913 92 289  
Fax: +47 914 46 030

Sales Enq. Fax: +44 (0)1773 582830 Sales Orders Fax: +44 (0)1773 582832  
E-Mail: sales@medc.com Web: www.medc.com





## Specification

Certification: UL Listed for USA and Canada  
 – Hazardous locations:  
 Class I, Div. 2, Groups C & D  
 Class I Zones 1 & 2, AExd IIB T5.  
 UL Listing No. E187894.  
 – Ordinary locations: Visual-Signal Device.  
 UL Listing No. S8128.  
**ATEX approved:** EExd IIB T5/T6.  
 Cert. No. 99 ATEX 2195X.  
 CENELEC EN50014 and EN50018.

Material: Body: – Glass reinforced polyester.  
 Lens: – Glass  
 Cover Screws + Backstrap: – Stainless steel 316.

Finish: Natural black or painted to customer specification.  
 Weight: 5 1/2 lb/2.5kg.

Certified Temperature: –67°F to +158°F (–55°C to +70°C) hazardous locations.  
 –67°F to +131°F (–55°C to +55°C) ordinary locations.

Ingress Protection: NEMA 4x and 6, IP66 & 67.

Terminals: 6 off suitable for up to 14 AWG conductor size.

Labels: Duty/Tag Label optional.

Entries: 2 x 1 1/2" NPT.

Strobe/Sounder Unit: The beacon may be combined with an MEDC sounder to create a visual/audible alarm. Contact MEDC for price and specification.

	DC	AC50/60 Hz	
Voltage	24	110	240
XB11 Tube Energy (Joules)	5	5	5
Peak Current Consumption (mA)	320	100	60
Effective Intensity (Cd)	29	29	29
Peak Intensity (Cd)	22213	22213	22213
Power Consumption (Watts)	8	11	18

NOTE: The Cd figures are for a clear lens @ 1Hz flash rate.

### FOR COLORED LENSES

Color	Red	Blue	Amber	Green	Yellow
Multiplying Factor	0.15	0.12	0.51	0.49	0.86

The photometric data has been verified by BSI. A report is available if required.

## Ordering Requirements

The following code is designed to help in the selection of the correct unit. Build up the reference number by inserting the code for each component into the appropriate box. **For standard products, available ex-stock, contact sales office for details.**

Model Type	Certification	Voltage	Flash Rate	Lens Color	Lens Guard	Unit Fixing	Earth Continuity	Tag/Duty Label	Other Option	Unit Finish																																																	
<b>XB11</b>							<b>N</b>																																																				
<table border="1"> <tr><th>Voltage</th><th>Code</th></tr> <tr><td>24V d.c.</td><td>024</td></tr> <tr><td>110V a.c.</td><td>110</td></tr> <tr><td>240V a.c.</td><td>240</td></tr> </table>		Voltage	Code	24V d.c.	024	110V a.c.	110	240V a.c.	240	<table border="1"> <tr><th>Guard</th><th>Code</th></tr> <tr><td>None</td><td>N</td></tr> <tr><td>Yes</td><td>Y</td></tr> </table>		Guard	Code	None	N	Yes	Y	<table border="1"> <tr><th>Label</th><th>Code</th></tr> <tr><td>None</td><td>N</td></tr> <tr><td>Yes</td><td>Y</td></tr> <tr><td colspan="2">(Please specify)</td></tr> </table>		Label	Code	None	N	Yes	Y	(Please specify)		<table border="1"> <tr><th>Option</th><th>Code</th></tr> <tr><td>None</td><td>N</td></tr> <tr><td>Blanking Plug</td><td>P</td></tr> </table>		Option	Code	None	N	Blanking Plug	P	<table border="1"> <tr><th>Continuity</th><th>Code</th></tr> <tr><td>None</td><td>N</td></tr> </table>		Continuity	Code	None	N	<table border="1"> <tr><th>Finish</th><th>Code</th></tr> <tr><td>Natural Black</td><td>N</td></tr> <tr><td>Red</td><td>R</td></tr> <tr><td>Blue</td><td>B</td></tr> <tr><td>Yellow</td><td>Y</td></tr> <tr><td>Grey</td><td>G</td></tr> <tr><td>White</td><td>W</td></tr> <tr><td>Special Finish</td><td>S</td></tr> </table>		Finish	Code	Natural Black	N	Red	R	Blue	B	Yellow	Y	Grey	G	White	W	Special Finish	S
Voltage	Code																																																										
24V d.c.	024																																																										
110V a.c.	110																																																										
240V a.c.	240																																																										
Guard	Code																																																										
None	N																																																										
Yes	Y																																																										
Label	Code																																																										
None	N																																																										
Yes	Y																																																										
(Please specify)																																																											
Option	Code																																																										
None	N																																																										
Blanking Plug	P																																																										
Continuity	Code																																																										
None	N																																																										
Finish	Code																																																										
Natural Black	N																																																										
Red	R																																																										
Blue	B																																																										
Yellow	Y																																																										
Grey	G																																																										
White	W																																																										
Special Finish	S																																																										
<table border="1"> <tr><th>Certification</th><th>Code</th></tr> <tr><td>UL</td><td>UL</td></tr> <tr><td>UL (ordinary locations)</td><td>UW</td></tr> </table>		Certification	Code	UL	UL	UL (ordinary locations)	UW	<table border="1"> <tr><th>Flash Rate</th><th>Code</th></tr> <tr><td>60/min</td><td>06</td></tr> <tr><td colspan="2">Other flash rates available, please specify.</td></tr> </table>		Flash Rate	Code	60/min	06	Other flash rates available, please specify.		<table border="1"> <tr><th>Color</th><th>Code</th></tr> <tr><td>Red</td><td>R</td></tr> <tr><td>Blue</td><td>B</td></tr> <tr><td>Green</td><td>G</td></tr> <tr><td>Amber</td><td>A</td></tr> <tr><td>Yellow</td><td>Y</td></tr> <tr><td>Clear</td><td>C</td></tr> </table>		Color	Code	Red	R	Blue	B	Green	G	Amber	A	Yellow	Y	Clear	C	<table border="1"> <tr><th>Unit Fixing</th><th>Code</th></tr> <tr><td>Direct Mounting</td><td>D</td></tr> <tr><td>Backstrap</td><td>B</td></tr> </table>		Unit Fixing	Code	Direct Mounting	D	Backstrap	B																				
Certification	Code																																																										
UL	UL																																																										
UL (ordinary locations)	UW																																																										
Flash Rate	Code																																																										
60/min	06																																																										
Other flash rates available, please specify.																																																											
Color	Code																																																										
Red	R																																																										
Blue	B																																																										
Green	G																																																										
Amber	A																																																										
Yellow	Y																																																										
Clear	C																																																										
Unit Fixing	Code																																																										
Direct Mounting	D																																																										
Backstrap	B																																																										

To order ATEX approved version, see European data sheet.



All the above specifications, dimensions, weights and tolerances are nominal (typical) and MEDC reserve the right to vary all data without prior notice. No liability is accepted for any consequence of use.