

Data Sheet

Model OI-6975 GenII Sensor Assembly



DESCRIPTION

The GenII OI-6975 ambient air gas sensor assembly is part of the new generation of gas sensor assemblies from Otis Instruments. The OI-6975 is powered by +12-35 Volts DC, and uses an electro-chemical sensor element to detect a variety of gases.

The device comes standard with a 128 x 64 graphical LCD screen, three-button interface, non-intrusive magnetic switches, and new Otis-blue custom explosion-proof enclosure.

PRODUCT PHOTO



SPECIFICATIONS

Sensor Type: Electro-Chemical

Power Input: +12-35 Volts DC

Power Output: 4-20mA

Display: Graphical LCD, sunlight readable
128x64 resolution

Interface: Three push buttons (MENU, ADD, SUB);
three corresponding magnetic,
non-intrusive switches;
non-intrusive calibration

Enclosure: Otis-Blue explosion/flame-proof

Warranty: Hardware: One year (limited)
Sensor: One year (varies w/ sensor type)

FEATURES

- Non-intrusive calibration with MENU, ADD and SUB
- Glass lid for viewing amplifier display
- Explosion and weather proof custom Otis-Blue enclosure
- Rapid response and clearing time
- Rain/splashguard for sensor protection

Otis Instruments, Inc.
2200 E. Villa Maria Dr
Bryan, TX 77802

979.776.7700

Fax: 979.776.7719

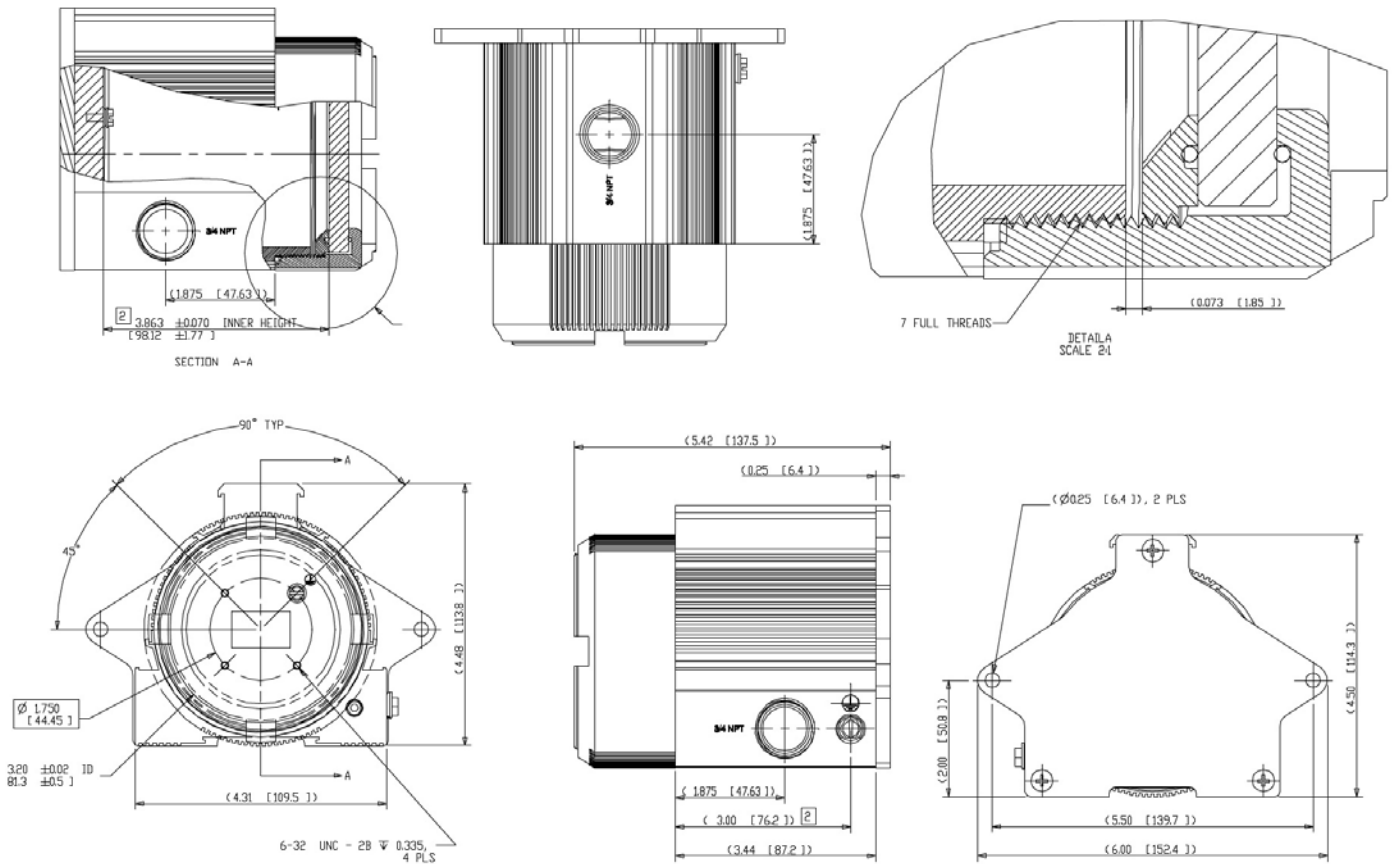
info@otisinstruments.com
www.otisinstruments.com

Data Sheet

Model OI-6975 GenII Sensor Assembly



DIMENSIONS



Revision 1.0

Otis Instruments, Inc.
2200 E. Villa Maria Dr
Bryan, TX 77802
979.776.7700
Fax: 979.776.7719
info@otisinstruments.com
www.otisinstruments.com