

# HIGH INTENSITY STROBE WARNING LIGHTS

## Hazardous Locations, Weatherproof

### XB15 Range



XB15  
Direct Mount  
(with backstrap and  
wire guard)

XB15 Pipe Mount (with cast guard)

## Introduction

These listed strobes have been designed for use in potentially explosive atmospheres and harsh environmental conditions. The enclosures are suitable for use offshore or onshore, where light weight combined with corrosion resistance is required.

The housings are manufactured completely from a U.V. stable, glass reinforced polyester. Stainless steel screws and mounting bracket are available ensuring a totally corrosion-free product.

The model XB15 contains a supervisory diode and four wire lead connection for fire alarm applications.

Units can be painted to customer specification and supplied with identification labels.

**European and other worldwide approvals are available, refer to main section of catalog.**

- ★ UL listed for USA and Canada
  - Hazardous locations:
    - Class I, Div. 2, Groups A, B, C & D.
    - Class II, Div 2 Groups F & G.
    - Class I, Zone 1, AExd IIC T4/T5/T6.
  - Ordinary locations: Visual-Signal Device.
  - Marine Listed
- ★ ULC Listed to Canadian Safety Standards.
- ★ Conforms to ULC regulated a.c. power supplies.
- ★ CSFM approved.
- ★ ATEX approved.
- ★ NEMA 4x and 6, IP66 & 67.
- ★ Certified temperature  $-67^{\circ}\text{F}$  to  $+158^{\circ}\text{F}$ .  
 $-55^{\circ}\text{C}$  to  $+70^{\circ}\text{C}$ .
- ★ Pipe mount or direct mount enclosure.
- ★ Corrosion-free GRP.
- ★ 520,000 peak candlepower.
- ★ Four wires and supervisory diode.
- ★ Optional stainless steel backstrap.
- ★ Various lens colors.
- ★ Optional relay initiate.
- ★ Optional cast or wire lens guard.
- ★ Up to 3 x 3/4" NPT entries.
- ★ Filament version available (100W max).  
See data sheet for FB15.

MEDC Ltd, Colliery Road,  
Pinxton, Nottingham NG16 6JF, UK.  
Tel: +44 (0)1773 864100  
Fax: +44 (0)1773 582800

MEDC International, 5829 West Sam Houston Parkway,  
North, Suite 1005, Houston, Texas 77041, USA.  
Tel: +1 (713) 937 9772  
Fax: +1 (713) 937 9773

MEDC Norway, Auglaendsmyrå 6,  
4016, Stavanger, Norge.  
Tel: +47 913 92 289  
Fax: +47 914 46 030

Sales Enq. Fax: +44 (0)1773 582830 Sales Orders Fax: +44 (0)1773 582832  
E-Mail: sales@medc.com Web: www.medc.com



# Specification

Certification: UL Listed for USA and Canada:

- Hazardous locations
  - Class I, Div 2, Groups A, B, C & D.
  - Class II, Div 2 Groups F & G
  - Class 1, Zone 1, AExd IIC T4/T5/T6.

UL listing No. E187894.

- Ordinary locations: Visual Signal Device.

- Marine listed

UL listing No. S8128

ULC Listed: Listing No. CE133

CENELEC/ATEX approved.

CENELEC EN50014 & EN50018

ATEX Cert. No. Baseefa 04ATEX0009X.

**Material:** Body: Glass reinforced polyester.  
 Lens: Glass.  
 Backstrap: stainless steel 316.  
 Wire Guard (optional): Stainless steel wire.  
 Cast Guard (optional): Aluminium LM25M.

**Finish:** Natural black or epoxy painted to customer specification.

**Voltage:** 24, 48V d.c.  
 110, 120, 230, 240, 254V a.c.

**Tube Energy:** 15 Joules.

**Tube Life:** >1 x 10<sup>6</sup> flashes.

**Flash Rate:** 60, 80, 120 fpm.

**Certified Temperature:** -67°F to +104°F (-55°C to +40°C) T6.

-67°F to +131°F (-55°C to +55°C) T5.

-67°F to +158°F (-55°C to +70°C) T4.

**Weight:** Pipe mount: 5¾lb/2.6kg; Direct mount: 6½lb/3.0kg.

**Ingress Protection:** NEMA 4x & 6, IP66 & IP67.

**Entries:** Supplied as 2 x ¾" NPT (direct mount) or ¾" (pipe mount) as standard.  
 Other options available:

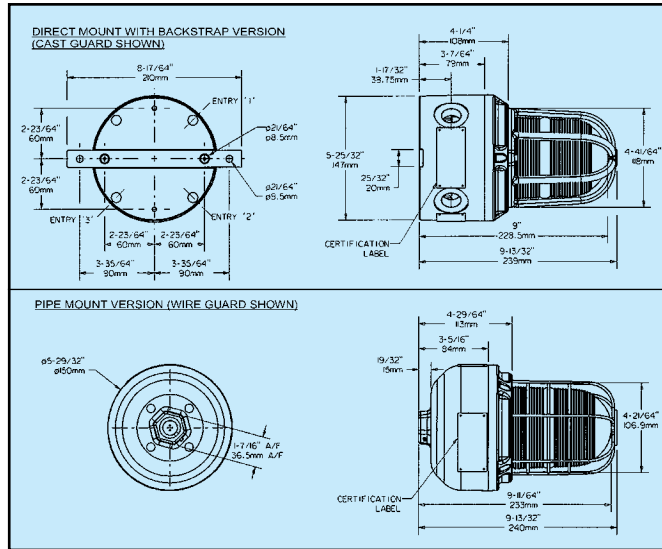
Up to 3 x ½" NPT or 3 x ¾" NPT (direct mount);  
 ½" NPT (pipe mount) – contact sales office to order.

**Terminals:** Direct mount: 12 x 14AWG.

Pipe mount: 8 x 14AWG.

**Relay Initiate:** Available on all versions – operates with 24V d.c. initiate supplies only.

**Labels:** Tag/Duty label option.



Electrical Ratings: UL/UW/UM versions

Voltage	d.c.		a.c.				
	24	48	110	120	230	240	254
Current (A)	0.78	0.67	0.4	0.4	0.2	0.2	0.17
Effective Candlepower – 330 (Effective candlepower is the intensity that would appear to an observer if the light was burning steadily)							

Multiplying Factor for Colored Lenses: UL/UW/UM versions

Red	Blue	Amber	Green	Yellow
0.15	0.12	0.51	0.49	0.86

Electrical Ratings: ULC versions

Voltage	d.c.		Regulated a.c.	
	24	48	120	240
Current (A)	1.24	0.76	0.4	0.2
Light Output (Cd) No Guard	60	50	30	30

Light output tested to ULC-S526-07 requirements

Multiplying Factor for Colored Lenses: ULC versions

Red	Blue	Amber	Green	Yellow
0.2	0.27	0.36	0.24	0.65

## Ordering Requirements

The following code is designed to help in the selection of the correct unit. Build up the reference number by inserting the code for each component into the appropriate box. **Standard products available for immediate shipping – contact sales office for details.**

Model	Certification	Voltage	Lens Flashrate	Lens Color	Unit Guard	Fixing	Unit Options	Finish																																																																																																			
<input type="text" value="XB15"/>	<input type="text"/>	<input type="text"/>	<input type="text"/>	<input type="text"/>	<input type="text"/>	<input type="text"/>	<input type="text"/>	<input type="text"/>																																																																																																			
<table border="1"> <thead> <tr> <th>Certification</th> <th>Code</th> </tr> </thead> <tbody> <tr> <td>UL</td> <td>UL</td> </tr> <tr> <td>UL (ordinary location)</td> <td>UW</td> </tr> <tr> <td>UL Marine</td> <td>UM</td> </tr> <tr> <td>ULC</td> <td>UC*</td> </tr> </tbody> </table> <p>*254V a.c not available with ULC.</p> <p>To order ATEX approved version, see European data sheet.</p>		Certification	Code	UL	UL	UL (ordinary location)	UW	UL Marine	UM	ULC	UC*	<table border="1"> <thead> <tr> <th>Voltage</th> <th>Code</th> </tr> </thead> <tbody> <tr> <td>24V d.c.</td> <td>024</td> </tr> <tr> <td>48V d.c.</td> <td>048</td> </tr> <tr> <td>110V a.c.</td> <td>110</td> </tr> <tr> <td>120V a.c.</td> <td>120*</td> </tr> <tr> <td>230V a.c.</td> <td>230</td> </tr> <tr> <td>240V a.c.</td> <td>240*</td> </tr> <tr> <td>254V a.c.</td> <td>254</td> </tr> </tbody> </table> <p>*Also conforms to ULC regulated power supplies</p>		Voltage	Code	24V d.c.	024	48V d.c.	048	110V a.c.	110	120V a.c.	120*	230V a.c.	230	240V a.c.	240*	254V a.c.	254	<table border="1"> <thead> <tr> <th>Fpm</th> <th>Code</th> </tr> </thead> <tbody> <tr> <td>60</td> <td>06</td> </tr> <tr> <td>80</td> <td>08</td> </tr> <tr> <td>120</td> <td>12</td> </tr> </tbody> </table>		Fpm	Code	60	06	80	08	120	12	<table border="1"> <thead> <tr> <th>Guard</th> <th>Code</th> </tr> </thead> <tbody> <tr> <td>None</td> <td>N</td> </tr> <tr> <td>Cast</td> <td>C</td> </tr> <tr> <td>Wire</td> <td>W</td> </tr> </tbody> </table>		Guard	Code	None	N	Cast	C	Wire	W	<table border="1"> <thead> <tr> <th>Option</th> <th>Code</th> </tr> </thead> <tbody> <tr> <td>None</td> <td>N</td> </tr> <tr> <td>Tag label†</td> <td>T</td> </tr> <tr> <td>Duty label†</td> <td>D</td> </tr> <tr> <td>Relay initiate*</td> <td>R</td> </tr> <tr> <td>Blanking Plug</td> <td>P</td> </tr> </tbody> </table> <p>*Suitable for 24V d.c. initiate supplies only.                      †ULC maximum of one label</p>		Option	Code	None	N	Tag label†	T	Duty label†	D	Relay initiate*	R	Blanking Plug	P	<table border="1"> <thead> <tr> <th>Color</th> <th>Code</th> </tr> </thead> <tbody> <tr> <td>Red</td> <td>R</td> </tr> <tr> <td>Blue</td> <td>B</td> </tr> <tr> <td>Green</td> <td>G</td> </tr> <tr> <td>Amber</td> <td>A</td> </tr> <tr> <td>Yellow</td> <td>Y</td> </tr> <tr> <td>Clear</td> <td>C</td> </tr> </tbody> </table>		Color	Code	Red	R	Blue	B	Green	G	Amber	A	Yellow	Y	Clear	C	<table border="1"> <thead> <tr> <th>Unit Fixing</th> <th>Code</th> </tr> </thead> <tbody> <tr> <td>Pipe mount</td> <td>P*</td> </tr> <tr> <td>Direct mount</td> <td>D*</td> </tr> <tr> <td>Direct w/backstrap</td> <td>B*</td> </tr> </tbody> </table> <p>*Contact MEDC if ½" NPT is required.</p>		Unit Fixing	Code	Pipe mount	P*	Direct mount	D*	Direct w/backstrap	B*	<table border="1"> <thead> <tr> <th>Finish</th> <th>Code</th> </tr> </thead> <tbody> <tr> <td>Natural Black</td> <td>N</td> </tr> <tr> <td>Red</td> <td>R</td> </tr> <tr> <td>Blue</td> <td>B</td> </tr> <tr> <td>Yellow</td> <td>Y</td> </tr> <tr> <td>Green</td> <td>G</td> </tr> <tr> <td>White</td> <td>W</td> </tr> <tr> <td>Special Finish</td> <td>S</td> </tr> </tbody> </table>		Finish	Code	Natural Black	N	Red	R	Blue	B	Yellow	Y	Green	G	White	W	Special Finish	S
Certification	Code																																																																																																										
UL	UL																																																																																																										
UL (ordinary location)	UW																																																																																																										
UL Marine	UM																																																																																																										
ULC	UC*																																																																																																										
Voltage	Code																																																																																																										
24V d.c.	024																																																																																																										
48V d.c.	048																																																																																																										
110V a.c.	110																																																																																																										
120V a.c.	120*																																																																																																										
230V a.c.	230																																																																																																										
240V a.c.	240*																																																																																																										
254V a.c.	254																																																																																																										
Fpm	Code																																																																																																										
60	06																																																																																																										
80	08																																																																																																										
120	12																																																																																																										
Guard	Code																																																																																																										
None	N																																																																																																										
Cast	C																																																																																																										
Wire	W																																																																																																										
Option	Code																																																																																																										
None	N																																																																																																										
Tag label†	T																																																																																																										
Duty label†	D																																																																																																										
Relay initiate*	R																																																																																																										
Blanking Plug	P																																																																																																										
Color	Code																																																																																																										
Red	R																																																																																																										
Blue	B																																																																																																										
Green	G																																																																																																										
Amber	A																																																																																																										
Yellow	Y																																																																																																										
Clear	C																																																																																																										
Unit Fixing	Code																																																																																																										
Pipe mount	P*																																																																																																										
Direct mount	D*																																																																																																										
Direct w/backstrap	B*																																																																																																										
Finish	Code																																																																																																										
Natural Black	N																																																																																																										
Red	R																																																																																																										
Blue	B																																																																																																										
Yellow	Y																																																																																																										
Green	G																																																																																																										
White	W																																																																																																										
Special Finish	S																																																																																																										



All the above specifications, dimensions, weights and tolerances are nominal (typical) and MEDC reserve the right to vary all data without prior notice. No liability is accepted for any consequence of use.