

# 21 JOULE XENON STROBES

## Hazardous Location, Weatherproof XB12 Range



### Introduction

These high output certified strobes have been designed for use in potentially explosive atmospheres and harsh environmental conditions. The enclosures are suitable for use offshore or onshore, where light weight combined with corrosion resistance is required.

The strobe housing is manufactured completely from a U.V. stable, glass reinforced polyester. Stainless steel screws and mounting bracket are incorporated ensuring a totally corrosion-free product.

Units can be painted to customer specification and supplied with identification labels.

**European, Chinese and other worldwide approvals are available, refer to main section of catalog.**

- ★ UL listed for USA and Canada
  - Hazardous locations:
    - Class I, Div. 2, Groups C & D.
    - Class I Zones 1 & 2, AExd IIB T4/T5.
  - Ordinary locations: Visual-Signal Device.
  - Marine listed
- ★ CSFM approved.
- ★ ATEX approved.
- ★ Xenon.
- ★ High Output (124,000 Candelas).
- ★ NEMA 4x and 6, IP66 & 67.
- ★ Certified temperature –67°F to +158°F.  
–55°C to +70°C.
- ★ 4 wire monitored connection.
- ★ 24V d.c., 110 & 240V a.c.
- ★ Corrosion resistant GRP.
- ★ Optional stainless steel backstrap.
- ★ Various lens colors.
- ★ Optional lens guard.
- ★ Twin replaceable tubes.

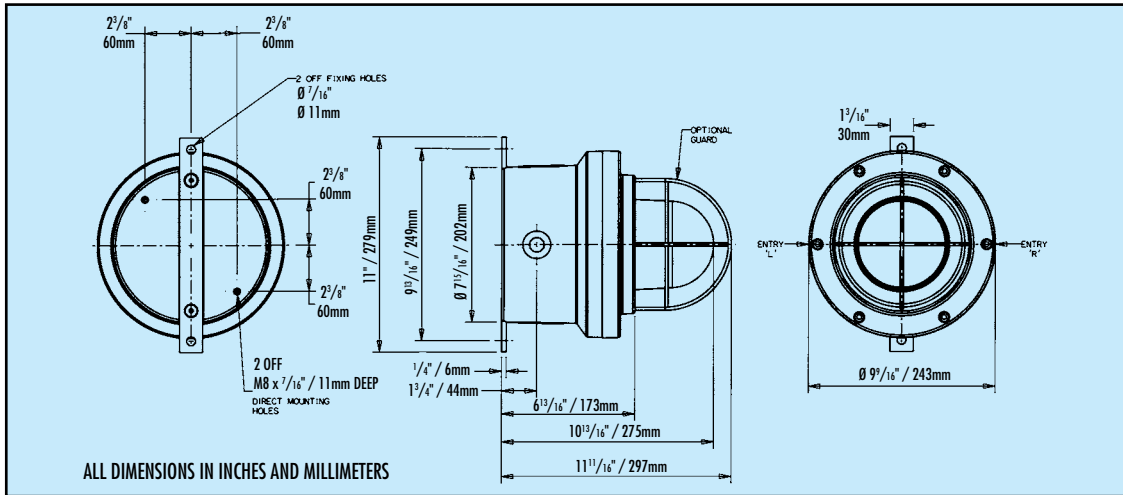
MEDC Ltd, Colliery Road,  
Pinxton, Nottingham NG16 6JF, UK.  
Tel: +44 (0)1773 864100  
Fax: +44 (0)1773 582800

MEDC International, 5829 West Sam Houston Parkway,  
North, Suite 1005, Houston, Texas 77041, USA.  
Tel: +1 (713) 937 9772  
Fax: +1 (713) 937 9773

MEDC Norway, Auglaendsmyraa 6,  
4016, Stavanger, Norge.  
Tel: +47 913 92 289  
Fax: +47 914 46 030

Sales Enq. Fax: +44 (0)1773 582830 Sales Orders Fax: +44 (0)1773 582832  
E-Mail: sales@medc.com Web: www.medc.com





## Specification

Certification: UL Listed for USA and Canada

– Hazardous locations:

Class I, Div. 2, Groups C & D

Class I, Zone 1 & 2, AExd IIB T4/T5

UL Listing No. E187894.

– Ordinary locations: Visual-Signal Device

– Marine listed

UL Listing No. S8128.

**ATEX approved:** EExd IIB T4/T5.

Cert. No. 99 ATEX 2196.

Material: Body: – Glass reinforced polyester.  
Lens: – Toughened Glass  
Cover Screws + Backstrap: – Stainless steel 316.

Finish: Natural black or painted to customer specification.

Weight: 15 1/2 lb/7.0kg.

Certified Temperature: –67°F to +158°F (–55°C to +70°C) hazardous locations  
–67°F to +131°F (–55°C to +55°C) ordinary locations.

Ingress Protection: NEMA 4x and 6, IP66 & 67.

Terminals: 6 off suitable for up to 10 AWG conductor size

Labels: Duty/Tag Label optional.

Entries: 2 x 1/2" NPT.

	DC	AC50/60 Hz	
Voltage	24	110	240
XB12 Tube Energy (Joules)	21	21	21
Peak Current Consumption (mA)	1400	350	185
Effective Intensity (Cd)	355	355	355
Peak Intensity (Cd)	123691	123691	123691
Power Consumption (Watts)	33.6	38.5	44.4
NOTE: The Cd figures are for a clear lens @ 1Hz flash rate.			

FOR COLORED LENSES

Color	Red	Blue	Amber	Green	Yellow
Multiplying Factor	0.15	0.12	0.51	0.49	0.86

The photometric data has been verified by BSI.  
A report is available if required.

## Ordering Requirements

The following code is designed to help in the selection of the correct unit. Build up the reference number by inserting the code for each component into the appropriate box. **For standard products, available ex-stock, contact sales office for details.**

Model Type	Certification	Voltage	Flash Rate	Lens Color	Lens Guard	Unit Fixing	Earth Continuity	Tag/Duty Label	Other Options	Unit Finish
<b>XB12</b>							<b>N</b>			

<p>To order ATEX approved version, see European data sheet.</p>	<table border="1"> <tr><th>Voltage</th><th>Code</th></tr> <tr><td>24V d.c.</td><td>024</td></tr> <tr><td>110V a.c.</td><td>110</td></tr> <tr><td>240V a.c.</td><td>240</td></tr> </table>	Voltage	Code	24V d.c.	024	110V a.c.	110	240V a.c.	240	<table border="1"> <tr><th>Color</th><th>Code</th></tr> <tr><td>Red</td><td>R</td></tr> <tr><td>Blue</td><td>B</td></tr> <tr><td>Green</td><td>G</td></tr> <tr><td>Amber</td><td>A</td></tr> <tr><td>Yellow</td><td>Y</td></tr> <tr><td>Clear</td><td>C</td></tr> </table>	Color	Code	Red	R	Blue	B	Green	G	Amber	A	Yellow	Y	Clear	C	<table border="1"> <tr><th>Guard</th><th>Code</th></tr> <tr><td>None</td><td>N</td></tr> <tr><td>Yes</td><td>Y</td></tr> </table>	Guard	Code	None	N	Yes	Y	<table border="1"> <tr><th>Unit Fixing</th><th>Code</th></tr> <tr><td>Direct Mounting</td><td>D</td></tr> <tr><td>Backstrap</td><td>B</td></tr> </table>	Unit Fixing	Code	Direct Mounting	D	Backstrap	B	<table border="1"> <tr><th>Label</th><th>Code</th></tr> <tr><td>None</td><td>N</td></tr> <tr><td>Yes</td><td>Y</td></tr> <tr><td>(Please specify)</td><td></td></tr> </table>	Label	Code	None	N	Yes	Y	(Please specify)		<table border="1"> <tr><th>Option</th><th>Code</th></tr> <tr><td>None</td><td>N</td></tr> <tr><td>Blanking Plug</td><td>P</td></tr> </table>	Option	Code	None	N	Blanking Plug	P	<table border="1"> <tr><th>Continuity</th><th>Code</th></tr> <tr><td>None</td><td>N</td></tr> </table>	Continuity	Code	None	N	<table border="1"> <tr><th>Finish</th><th>Code</th></tr> <tr><td>Natural Black</td><td>N</td></tr> <tr><td>Red</td><td>R</td></tr> <tr><td>Blue</td><td>B</td></tr> <tr><td>Yellow</td><td>Y</td></tr> <tr><td>Grey</td><td>G</td></tr> <tr><td>White</td><td>W</td></tr> <tr><td>Special Finish</td><td>S</td></tr> </table>	Finish	Code	Natural Black	N	Red	R	Blue	B	Yellow	Y	Grey	G	White	W	Special Finish	S
Voltage	Code																																																																											
24V d.c.	024																																																																											
110V a.c.	110																																																																											
240V a.c.	240																																																																											
Color	Code																																																																											
Red	R																																																																											
Blue	B																																																																											
Green	G																																																																											
Amber	A																																																																											
Yellow	Y																																																																											
Clear	C																																																																											
Guard	Code																																																																											
None	N																																																																											
Yes	Y																																																																											
Unit Fixing	Code																																																																											
Direct Mounting	D																																																																											
Backstrap	B																																																																											
Label	Code																																																																											
None	N																																																																											
Yes	Y																																																																											
(Please specify)																																																																												
Option	Code																																																																											
None	N																																																																											
Blanking Plug	P																																																																											
Continuity	Code																																																																											
None	N																																																																											
Finish	Code																																																																											
Natural Black	N																																																																											
Red	R																																																																											
Blue	B																																																																											
Yellow	Y																																																																											
Grey	G																																																																											
White	W																																																																											
Special Finish	S																																																																											
<table border="1"> <tr><th>Certification</th><th>Code</th></tr> <tr><td>UL</td><td>UL</td></tr> <tr><td>UL (ordinary location)</td><td>UW</td></tr> <tr><td>UL Marine</td><td>UM</td></tr> </table>	Certification	Code	UL	UL	UL (ordinary location)	UW	UL Marine	UM	<table border="1"> <tr><th>Flash Rate</th><th>Code</th></tr> <tr><td>60/min</td><td>06</td></tr> <tr><td>Other flash rates available, please specify.</td><td></td></tr> </table>	Flash Rate	Code	60/min	06	Other flash rates available, please specify.																																																														
Certification	Code																																																																											
UL	UL																																																																											
UL (ordinary location)	UW																																																																											
UL Marine	UM																																																																											
Flash Rate	Code																																																																											
60/min	06																																																																											
Other flash rates available, please specify.																																																																												



All the above specifications, dimensions, weights and tolerances are nominal (typical) and MEDC reserve the right to vary all data without prior notice. No liability is accepted for any consequence of use.