

US Patent # 6,425,678

SafeSite® FLS Series LED Flashing Visual Signal Lights for Supervised Alarm Systems

Certifications & Ratings:

- ▷ Class I, Div 2, Groups A, B, C, D hazardous environments T4 rated
- ▷ UL1598A and UL1638 rated
- ▷ IP66 / NEMA 4X rated
- ▷ ETL Listed in compliance with UL1598 and UL844 for use in Class I, Div 2 hazardous locations

Features & Benefits:

- ▷ Uses 90% less energy than an incandescent
- ▷ Weather/corrosion resistant lamp assembly and housing
- ▷ Resistant to shock and vibration
- ▷ Available as a single unit
- ▷ Unique optically designed lens to enhance LED operation and provide 360° visibility
- ▷ 5 year warranty

Order Codes:

Class I, Div 2 - Single Units	
FLS-2R09-001	Class I, Div 2 Red 10-48 VDC
FLS-2W09-001	Class I, Div 2 White 10-48 VDC
FLS-2G09-001	Class I, Div 2 Green 10-48 VDC
FLS-2Y09-001	Class I, Div 2 Yellow 10-48 VDC
FLS-2B09-001	Class I, Div 2 Blue 10-48 VDC

Application:

Dialight's newest addition to their line of Class I, Division 2 Visual Signal Lights, the FLS Series Flashing Signals are used in a wide range of industries for visual indication in hazardous environments.

Mechanical Information:

Container Dimensions: 16" X 9" X 8"
406mm x 229mm x 203mm

Container Weight: 7.14 lbs (3.24 kg)

Mounting: Threaded 1" NPT and 3/4" NPT bottom hub for mounting

Electrical specifications:

Input Power: 1.3 W (10-48 VDC Units)

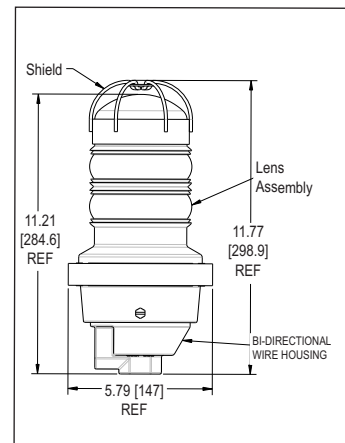
Operating Temp: -20°C to +40°C

Material:

Housing: Cast aluminum

Lens: Glass

Accessories (Hardware): Stainless steel



Dimensions in Inches [mm]

FLS_ALARM5